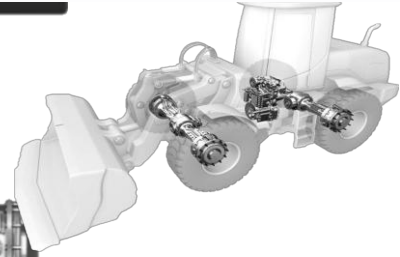


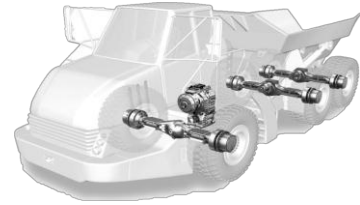


EQUIPMENT TRANSMISSION AXLE SPARE PARTS

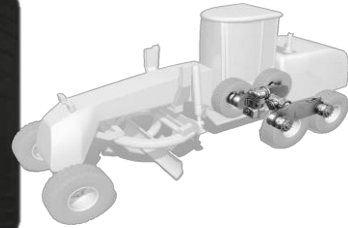
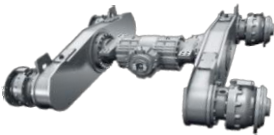
WHEEL LOADERS



DUMP TRUCKS



GRADERS



www.etaspareparts.com.tr



OUTPUT KIT KMP	
4474 298 120	OUTPUT KIT KMP
4474 298 048	OUTPUT KIT KMP
4474 298 221	OUTPUT KIT KMP
4474 298 241	OUTPUT KIT KMP
4474 298 247	OUTPUT KIT KMP
4474 146 067	OUTPUT KIT KMP
4474 298 292	OUTPUT KIT KMP
4474 156 056	OUTPUT KIT KMP
BRAKE HOUSING	
4474 353 159	BRAKE HOUSING
4474 298 193	BRAKE HOUSING
4474 239 202	BRAKE HOUSING
4474 353 076	BRAKE HOUSING
4474 353 159	BRAKE HOUSING
4474 298 193	BRAKE HOUSING
4474 355 063	BRAKE HOUSING
4472 239 207	BRAKE HOUSING
OUTPUT FLANGE	
4474 351 098	OUTPUT FLANGE
4474 351 063	OUTPUT FLANGE
4474 351 192	OUTPUT FLANGE
4474 352 109	OUTPUT FLANGE
4474 352 296	OUTPUT FLANGE
4474 353 065	OUTPUT FLANGE
4474 353 073	OUTPUT FLANGE
4474 353 191	OUTPUT FLANGE
4474 354 093	OUTPUT FLANGE
4474 354 105	OUTPUT FLANGE
4474 354 165	OUTPUT FLANGE
PLANET CARRIER	
4474 350 024	PLANET CARRIER
4474 350 020	PLANET CARRIER
4474 351 103	PLANET CARRIER
4474 351 187	PLANET CARRIER
4474 352 141	PLANET CARRIER
4474 352 178	PLANET CARRIER
4474 351 190	PLANET CARRIER
4474 353 059	PLANET CARRIER
4474 353 078	PLANET CARRIER
4474 353 135	PLANET CARRIER
4474 354 092	PLANET CARRIER
4474 354 112	PLANET CARRIER
4474 354 167	PLANET CARRIER
4474 355 096	PLANET CARRIER
4474 355 118	PLANET CARRIER
4474 355 098	PLANET CARRIER
4474 355 120	PLANET CARRIER
4469 321 042	PLANET CARRIER
4469 321 039	PLANET CARRIER
RIN GEAR	
4474 251 013	RIN GEAR
4474 253 038	RIN GEAR
4474 254 025	RIN GEAR
4474 351 084	RIN GEAR

4474 353 116	RIN GEAR
4474 354 128	RIN GEAR
SUN GEAR	
4474 351 048	SUN GEAR
4474 351 189	SUN GEAR
4474 352 062	SUN GEAR
4474 353 114	SUN GEAR
4474 354 063	SUN GEAR
4474 354 130	SUN GEAR
4474 355 040	SUN GEAR
4469 321 023	SUN GEAR
4469 321 005	SUN GEAR
4469 321 038	SUN GEAR
PLANET GEAR	
4474 351 083	PLANET GEAR
4474 298 192	PLANET GEAR+ BEARING
4474 352 006	PLANET GEAR
4474 352 179	PLANET GEAR
4474 298 194	PLANET GEAR+ BEARING
4474 354 027	PLANET GEAR
4474 354 111	PLANET GEAR
4474 298 197	PLANET GEAR+ BEARING
4474 355 039	PLANET GEAR
4474 298 190	PLANET GEAR+ BEARING
PLANET GEAR BEARING	
0750 117 764	PLANET GEAR BEARING
0750 117 765	PLANET GEAR BEARING
0735 295 161	PLANET GEAR BEARING
0735 295 179	PLANET GEAR BEARING
0750 118 492	PLANET GEAR BEARING
0735 455 332	PLANET GEAR BEARING
0735 455 334	PLANET GEAR BEARING
0735 410 836	PLANET GEAR BEARING
STUB SHAFT	
4474 350 004	STUB SHAFT
4474 351 064	STUB SHAFT
4474 351 138	STUB SHAFT
4474 352 026	STUB SHAFT
4474 352 016	STUB SHAFT
4474 352 299	STUB SHAFT
4474 353 005	STUB SHAFT
4474 353 038	STUB SHAFT
4474 353 122	STUB SHAFT
4474 354 062	STUB SHAFT
4474 354 131	STUB SHAFT
BRAKE PISTON	
4474 351 165	BRAKE PISTON
4474 352 134	BRAKE PISTON
4474 352 133	BRAKE PISTON
4474 251 068	BRAKE PISTON
4474 351 165	BRAKE PISTON
4474 355 037	BRAKE PISTON
BRAKE FRECTION DISC AND STEEL DISC	
4474 252 033	BRAKE FRECTION DISC
0501 322 140	BRAKE FRECTION DISC

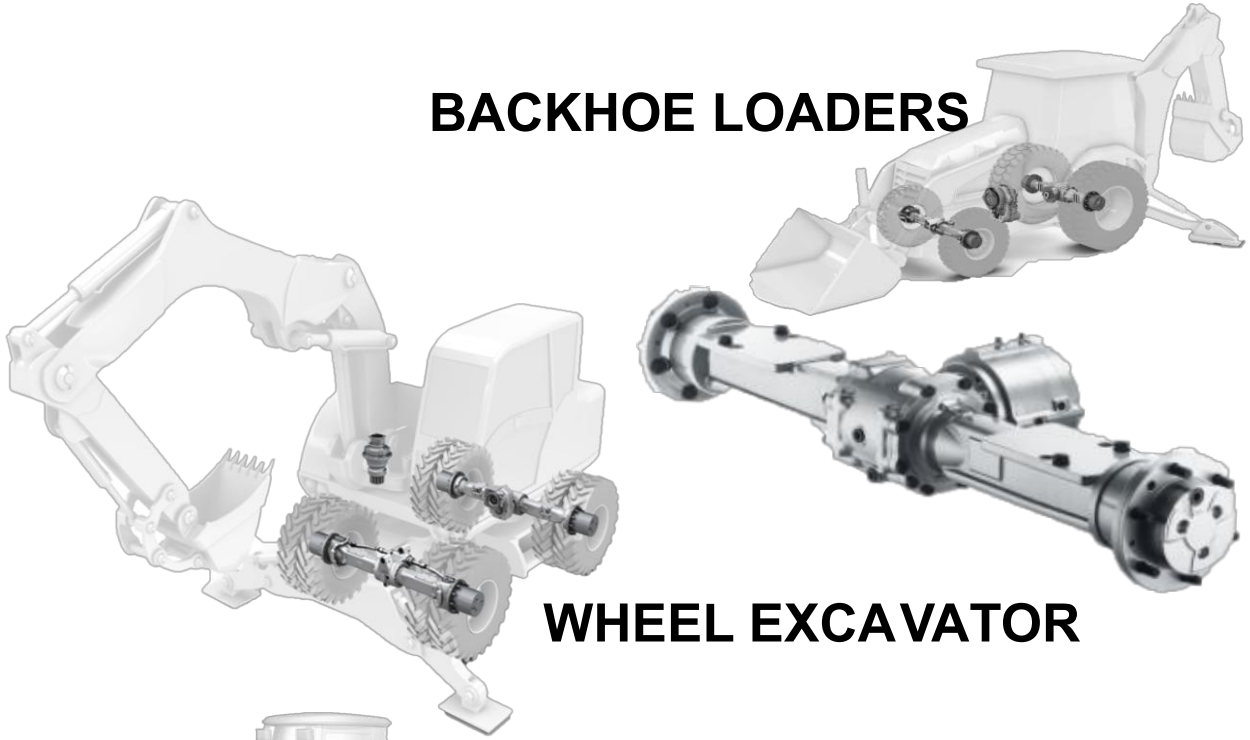
0501 215 072	BRAKE FRECTION DISC
4474 352 052	BRAKE STEEL DISC
4474 352 121	BRAKE STEEL DISC
4474 352 157	BRAKE STEEL DISC
4474 355 055	BRAKE STEEL DISC
4474 355 092	BRAKE STEEL DISC
4474 355 093	BRAKE STEEL DISC
OUT PUT HOUSING & CARRIER BEARING	
0750 120 335	BEARING
0735 370 064	BEARING
0750 120 369	BEARING
0750 117 817	BEARING
0750 117 816	BEARING
0750 120 336	BEARING
0735 302 902	BEARING
0750 117 767	BEARING
0750 117 766	BEARING
0750 120 337	BEARING
0735 301 534	BEARING
0750 117 864	BEARING
0750 117 078	BEARING
0750 117 644	BEARING
0750 117 670	BEARING
0750 117 965	BEARING
BRAKE PARTS	
4474 351 154	BRAKE END SHIM
4474 353 140	BRAKE END SHIM
4474 355 045	BRAKE END SHIM
0732 000 254	CUP SPRING
0732 300 057	CUP SPRING
4474 351 107	COVER
4474 353 149	COVER
4474 353 148	COVER
0730 010 584	WASHER
0730 300 751	WASHER
4474 352 125	PIN
0630 531 100	GRIPPING RING
0632 000 043	CUP SPRING
4474 352 127	SUPPORTING RING
0630 513 042	SNAP RING
0630 513 247	SNAP RING
WASHER & NUT & RETAINING RING	
4474 351 115	WASHER
4474 352 036	CARRIER NUT
4474 354 015	CARRIER NUT
4474 351 043	NUT COVER
4474 351 190	STOP BOLT
4463 341 034	STOP BOLT
0631 329 064	SLOTTED PIN
0630 531 065	SLOTTED PIN
0631 326 665	SLOTTED PIN
0501 321 382	SLOTTED PIN
0637 512 027	SLOTTED PIN
0630 531 065	RETAINING RING
0501 324 599	RETAINING RING

0630 501 136	RETAINING RING
OIL SEAL & BRAKE SEAL & O - RING	
0734 300 225	OIL SEAL
0501 329 658	OIL SEAL
0734 310 111	OIL SEAL
0734 309 437	OIL SEAL
0734 319 710	OIL SEAL
0501 325 341	OIL SEAL
0734 317 376	GROOVED RING
0734 317 377	GROOVED RING
0734 317 100	GROOVED RING
0734 300 420	GROOVED RING
0734 317 379	GROOVED RING
0734 317 326	SUPPORT RING
0734 317 327	SUPPORT RING
0734 317 196	SUPPORT RING
0734 317 197	SUPPORT RING
0501 335 115	SUPPORT RING
0501 335 114	SUPPORT RING
0501 312 493	GUIDE RING
0501 312 494	GUIDE RING
0501 316 608	GUIDE RING
0501 319 028	GUIDE RING
0634 304 669	O-RING
0634 304 616	O-RING
0634 303 266	O-RING
0634 306 360	O-RING
0634 304 238	O-RING
0634 304 226	O-RING
0634 304 669	O-RING
0634 304 244	O-RING
0634 303 404	O-RING
COWEN WHEEL & PINION SET	
4460 253 301	COWEN WHEEL & PINION
4460 205 442	COWEN WHEEL & PINION
4460 205 145	COWEN WHEEL & PINION
4460 305 828	COWEN WHEEL & PINION
4460 266 007	COWEN WHEEL & PINION
4460 216 026	COWEN WHEEL & PINION
4460 216 017	COWEN WHEEL & PINION
4460 216 024	COWEN WHEEL & PINION
4460 226 030	COWEN WHEEL & PINION
4460 226 043	COWEN WHEEL & PINION
DIFF. HOUSING & HOUSING COVER	
0899 202 715	DIFF.HOUSING KIT
4131 206 006	DIFF.HOUSING KIT
4481 310 001	DIFF.HOUSING
4481 371 178	DIFF.HOUSING
4481 313 020	DIFF.HOUSING
4481 316 057	DIFF.HOUSING
4481 316 010	DIFF.HOUSING
4481 316 003	DIFF.HOUSING
4482 372 004	DIFF.HOUSING
4481 371 158	DIFF.HOUSING
4481 310 002	DIFF.HOUSING COVER

4481 371 099	DIFF.HOUSING COVER
4481 313 005	DIFF.HOUSING COVER
4481 316 056	DIFF.HOUSING COVER
4481 316 002	DIFF.HOUSING COVER
4481 316 004	DIFF.HOUSING COVER
4482 370 001	DIFF.HOUSING COVER
4481 371 159	DIFF.HOUSING COVER
BEVEL KIT PARTS	
4131 306 009	DIFF .AXLE BEVEL GEAR
4061 316 127	DIFF .AXLE BEVEL GEAR
0501 326 528	DIFF .AXLE BEVEL GEAR
4061 313 363	DIFF .AXLE BEVEL GEAR
4061 316 221	DIFF .AXLE BEVEL GEAR
4061 316 207	DIFF .AXLE BEVEL GEAR
4061 316 248	DIFF .AXLE BEVEL GEAR
4481 371 117	DIFF .AXLE BEVEL GEAR
4131 306 006	DIFF .BEVEL GEAR
4461 301 030	DIFF .BEVEL GEAR
0501 326 527	DIFF .BEVEL GEAR
4061 313 364	DIFF .BEVEL GEAR
4061 316 169	DIFF .BEVEL GEAR
4461 341 006	DIFF .BEVEL GEAR
4131 306 010	DIFF. AXLE
4061 316 118	DIFF. AXLE
4481 371 179	DIFF. AXLE
4481 371 180	DIFF. AXLE
4061 313 110	DIFF. AXLE
4481 316 038	DIFF. AXLE
4481 316 039	DIFF. AXLE
4481 371 153	DIFF. AXLE
4061 310 117	PRESSURE RING
4481 313 011	PRESSURE RING
4482 372 002	PRESSURE RING
4481 316 003	PRESSURE RING
PINION NUT	
0637 002 033	PINION NUT
0737 006 074	PINION NUT
0737 502 146	PINION NUT
DIFF. BEARING	
0750 117 284	BEARING
0750 117 175	BEARING
0750 117 177	BEARING
0750 117 346	BEARING
0750 117 057	BEARING
0735 301 801	BEARING
0750 117 892	BEARING
0735 372 213	BEARING
0750 117 449	BEARING
0750 120 089	BEARING
0735 342 249	BEARING
0750 117 875	BEARING
0750 117 672	BEARING
0750 117 143	BEARING
0750 117 003	BEARING
0750 117 142	BEARING

0750 117 882	BEARING
0750 117 258	BEARING
0735 300 343	BEARING
0750 117 414	BEARING
0735 371 309	BEARING
0750 120 217	BEARING
PINION SEAL	
0750 110 105	PINION OIL SEAL
0734 319 605	PINION OIL SEAL
0734 300 621	PINION OIL SEAL
DIFF. FRECTION & STEEL DISC	
44131 306 004	DIFF. FERECTIN DISC
44132 306 005	DIFF. FERECTIN DISC
4061 310 255	DIFF. FERECTIN DISC
4481 371 104	DIFF. FERECTIN DISC
4481 313 002	DIFF. FERECTIN DISC
4061 316 165	DIFF. FERECTIN DISC
4481 310 008	DIFF. STEEL DISC
4482 310 009	DIFF. STEEL DISC
4483 310 010	DIFF. STEEL DISC
4061 310 264	DIFF. STEEL DISC
4062 310 265	DIFF. STEEL DISC
4062 310 266	DIFF. STEEL DISC
4063 310 267	DIFF. STEEL DISC
4481 313 032	DIFF. STEEL DISC
4481 313 033	DIFF. STEEL DISC
4481 313 034	DIFF. STEEL DISC
4061 316 240	DIFF. STEEL DISC
4061 316 241	DIFF. STEEL DISC
4061 316 242	DIFF. STEEL DISC
4061 316 243	DIFF. STEEL DISC
4061 316 244	DIFF. STEEL DISC
4061 316 245	DIFF. STEEL DISC
4061 316 246	DIFF. STEEL DISC
4061 316 247	DIFF. STEEL DISC
WASHER & SLOTTED PIN	
4061 316 164	WASHER
0730 200 288	WASHER
4481 371 098	WASHER
4481 313 002	WASHER
4481 313 001	WASHER
4061 316 192	WASHER
4061 316 182	WASHER
0730 002 294	WASHER
0730 300 924	WASHER
0730 300 224	WASHER
0631 020 118	SLOTTED PIN
0631 328 513	SLOTTED PIN
0731 201 423	SLOTTED PIN
0631 329 059	SLOTTED PIN
0631 329 088	SLOTTED PIN
0631 329 087	SLOTTED PIN
0636 015 086	HEXAGON SCREW

BACKHOE LOADERS



WHEEL EXCAVATOR



COMPACT LOADERS

COMPACT LOADERS

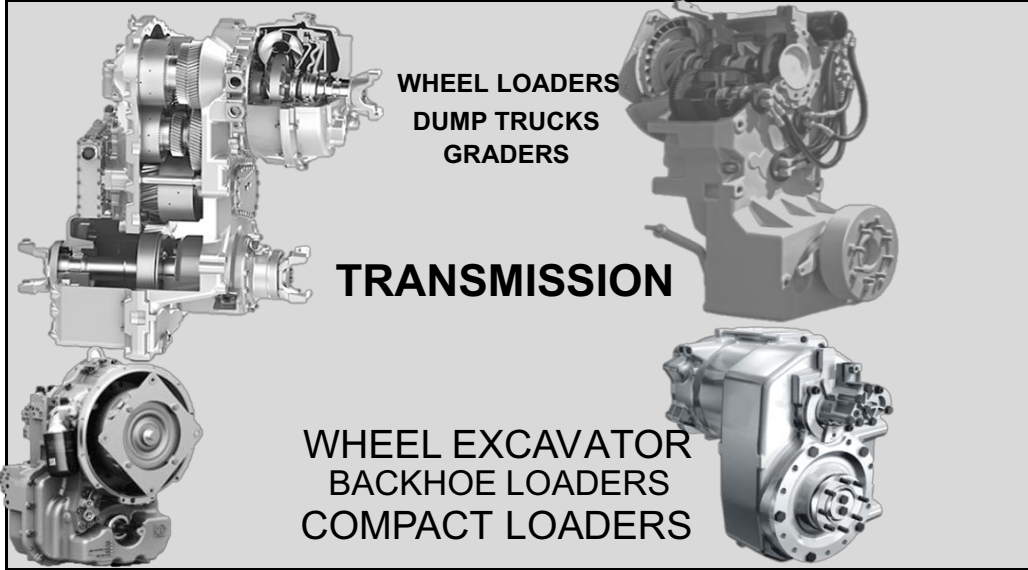
OUTPUT KIT KMP	
4472 219 072	OUT PUT KIT
4475 204 052	OUT PUT KIT
4475 204 034	OUT PUT KIT
4475 206 070	OUT PUT KIT
4475 204 041	OUT PUT KIT
4475 204 043	OUT PUT KIT
4475 205 085	OUT PUT KIT
4475 259 233	OUT PUT KIT
4475 259 003	OUT PUT KIT
HUB	
4472 373 226	HUB
4472 373 227	HUB
4472 320 094	HUB
4472 219 050	HUB CARRIER
CARRIER	
4472 386 005	CARRIER
4472 386 007	CARRIER
ZGAQ-02923	CARRIER
4472 377 035	CARRIER
4472 320 106	CARRIER
4472 348 027	CARRIER
4472 329 019	CARRIER
4475 305 587	CARRIER
4475 305 587	CARRIER
4475 306 344	CARRIER
4475 336 280	CARRIER
4475 305 113	CARRIER
4472 350 003	CARRIER
4475 319 310	CARRIER
JOINT HOUSING	
4472 218 009	JOINT HOUSING
4472 218 010	JOINT HOUSING
4472 274 025	JOINT HOUSING
4472 274 026	JOINT HOUSING
RING GEAR	
4472 319 218	RING GEAR
4472 319 265	RING GEAR
4472 319 266	RING GEAR
4472 319 099	RING GEAR
4472 347 048	RING GEAR
4472 320 082	RING GEAR
4472 348 049	RING GEAR
4472 364 073	RING GEAR
4475 304 188	RING GEAR
4475 307 008	RING GEAR
4475 305 069	RING GEAR
4472 353 419	RING GEAR
4472 304 203	RING GEAR
4475 319 182	RING GEAR
SUN GEAR	
4472 319 157	SUN GEAR
4472 377 046	SUN GEAR
4472 373 190	SUN GEAR
4472 319 161	SUN GEAR

4472 319 095	SUN GEAR
4472 319 215	SUN GEAR
4472 321 005	SUN GEAR
4472 321 007	SUN GEAR
4472 320 062	SUN GEAR
4472 348 028	SUN GEAR
4472 347 040	SUN GEAR
4475 305 588	SUN GEAR
4475 306 031	SUN GEAR
4475 307 071	SUN GEAR
4472 350 021	SUN GEAR
4475 319 256	SUN GEAR
4475 305 197	SUN GEAR
4472 353 158	SUN GEAR
STUB SHAFT	
0501 214 887	DOUBLE JOINT
0501 206 521	DOUBLE JOINT
0501 207 956	JOINT CROSS
0501 210 386	FORK JOINT
PLANET GEAR	
4472 364 254	PLANET GEAR
4472 364 006	PLANET GEAR
4472 353 463	PLANET GEAR
4472 353 098	PLANET GEAR
4472 347 003	PLANET GEAR
4472 320 099	PLANET GEAR
4472 348 032	PLANET GEAR
4472 348 036	PLANET GEAR
4475 305 562	PLANET GEAR
4472 350 022	PLANET GEAR
4475 306 439	PLANET GEAR
4472 353 600	PLANET GEAR
4475 305 343	PLANET GEAR
4472 304 162	PLANET GEAR
4472 348 054	PLANET GEAR
PLANET GEAR BEARING	
0735 455 281	BEARING
0750 118 072	BEARING
0750 118 324	BEARING
0735 455 336	BEARING
0750 118 493	BEARING
0735 455 323	BEARING
0750 117 733	BEARING
0750 117 734	BEARING
0750 117 572	BEARING
0750 117 597	BEARING
0735 410 855	BEARING
BRAKE PISTON	
4472 319 220	BRAKE PISTON
4472 348 040	BRAKE PISTON
4472 348 053	BRAKE PISTON
4472 320 085	BRAKE PISTON
FRECTION DISC CARRIER	
4472 322 013	FRECTION DISC CARRIER
4472 377 037	FRECTION DISC CARRIER

4472 321 024	FRECTION DISC CARRIER
END SHIM	
4462 305 077	END SHIM
FRECTION & STEEL DISC	
0501 314 381	FRECTION DISC
0501 314 382	FRECTION DISC
0501 323 004	FRECTION DISC
0501 323 005	FRECTION DISC
4462 305 079	STEEL DISC
4462 305 080	STEEL DISC
4462 305 081	STEEL DISC
4472 320 103	STEEL DISC
4472 320 104	STEEL DISC
4472 320 105	STEEL DISC
4472 348 023	STEEL DISC
4472 348 024	STEEL DISC
4472 348 025	STEEL DISC
4472 347 018	STEEL DISC
4472 347 017	STEEL DISC
4472 347 019	STEEL DISC
SUBE SHAFT BUSHING	
0730 260 621	BUSHING
0730 260 633	BUSHING
0501 316 250	BUSHING
OIL SEAL	
0750 110 156	OIL SEAL
0734 309 423	OIL SEAL
0734 309 401	OIL SEAL
0734 309 762	OIL SEAL
0734 300 611	OIL SEAL
0750 110 134	OIL SEAL
0734 319 222	OIL SEAL
0734 309 430	OIL SEAL
OIL SEAL & BRAKE SEAL & O - RING	
0734 317 181	BRACK OIL SEAL
0734 317 180	BRACK OIL SEAL
0734 300 222	BRACK OIL SEAL
0734 317 178	BRACK OIL SEAL
0734 317 169	BRACK OIL SEAL
0734 317 290	BRACK OIL SEAL
0734 317 237	BRACK OIL SEAL
0501 335 111	SUPPORT RING
0501 335 110	SUPPORT RING
0501 314 506	SUPPORT RING
0501 314 461	SUPPORT RING
0501 335 260	SUPPORT RING
0501 335 261	SUPPORT RING
0750 112 094	SUPPORT RING
0750 112 095	SUPPORT RING
0501 311 228	SUPPORT RING
0501 311 229	SUPPORT RING
O-RING	
0634 304 060	O-RING
0634 303 427	O-RING
0634 313 809	O-RING

0634 313 188	O-RING
0634 313 968	O-RING
0634 313 972	O-RING
0634 304 012	O-RING
0634 306 309	O-RING
0634 304 243	O-RING
0634 303 227	O-RING
0634 303 229	O-RING
0634 303 684	O-RING
NUT & RATINING RING & WASHER	
0501 309 954	RA TINING RING
0750 101 027	RA TINING RING
0501 308 863	RA TINING RING
0501 318 247	RA TINING RING
0730 502 079	RA TINING RING
0630 501 029	RA TINING RING
0630 501 035	RA TINING RING
0630 501 019	RA TINING RING
0730 112 041	W ASHER
0730 106 288	W AHSER
0730 104 160	W AHSER
0730 106 601	W AHSER
0737 503 055	SLOTTED NUT
HUB BEARING	
0750 117 570	BEARING
0750 117 167	BEARING
0750 117 652	BEARING
0750 117 635	BEARING
0750 117 062	BEARING
DIFF.HOUSING	
4461 273 004	DIFF.HOUSING KIT
4461 273 523	DIFF.HOUSING KIT
4461 273 524	DIFF.HOUSING KIT
4461 253 529	DIFF.HOUSING KIT
4461 253 530	DIFF.HOUSING KIT
4461 373 516	DIFF.HOUSING KIT
4482 330 006	DIFF.HOUSING
4461 373 058	DIFF.HOUSING
4461 373 050	DIFF.HOUSING COVER
BEVEL KIT PARTS	
4461 371 062	DIFF .AXLE BEVEL GEAR
4143 304 093	DIFF .AXLE BEVEL GEAR
4461 351 022	DIFF .AXLE BEVEL GEAR
4461 351 061	DIFF .AXLE BEVEL GEAR
4131 303 042	DIFF .AXLE BEVEL GEAR
4481 346 059	DIFF .AXLE BEVEL GEAR
4461 371 037	DIFF .AXLE BEVEL GEAR
4461 371 043	DIFF .AXLE BEVEL GEAR
4482 330 002	DIFF .AXLE BEVEL GEAR
4461 371 062	DIFF .AXLE BEVEL GEAR
4461 373 034	DIFF .AXLE BEVEL GEAR
4461 373 037	DIFF .AXLE BEVEL GEAR
4481 333 081	DIFF .BEVEL GEAR
4481 333 084	DIFF .BEVEL GEAR
4461 351 023	DIFF .BEVEL GEAR

4481 333 077	DIFF .BEVEL GEAR
0501 323 612	DIFF .BEVEL GEAR
DIFF . AXLE	
4461 301 007	DIFF. AXLE
4461 371 067	DIFF. AXLE
4461 351 018	DIFF. AXLE
4461 351 062	DIFF. AXLE
4461 351 065	DIFF. AXLE
4461 371 022	DIFF. AXLE
4461 373 007	DIFF. AXLE
4461 373 048	DIFF. AXLE
4461 373 049	DIFF. AXLE
4461 371 067	DIFF. AXLE
DIFF. BEARING	
0750 117 191	BEARING
0750 117 355	BEARING
0750 117 088	BEARING
0750 117 901	BEARING
0750 117 354	BEARING
0750 117 445	BEARING
0750 120 363	BEARING
0750 117 421	BEARING
0750 117 802	BEARING
0750 117 785	BEARING
0750 117 346	BEARING
0750 117 177	BEARING
0750 117 469	BEARING
0750 117 352	BEARING
PINION SEAL	
0734 319 709	PINION OIL SEAL
0734 300 442	PINION OIL SEAL
DIFF. FRECTION & STEEL DISC	
4143 306 004	DISC
4143 306 005	DISC
4143 306 009	DISC
4143 306 010	DISC
WASHER & SLOTTED PIN	
0730 105 018	WASHER
0730 105 010	WASHER
0730 106 007	WASHER
4481 345 070	WASHER
4481 345 072	WASHER
0730 104 893	WASHER
0730 105 019	WASHER
0730 105 497	WASHER
0730 108 056	WASHER
0730 108 808	WASHER
0730 109 643	WASHER
0730 110 347	WASHER
0631 328 599	SLOTTED PIN
0631 328 619	SLOTTED PIN
0631 328 588	SLOTTED PIN
0631 328 587	SLOTTED PIN
0631 329 088	SLOTTED PIN



TRANSMISSION CONNECTOR PARTS

4168 030 105	TORQUE CONVERTOR
4168 034 082	TORQUE CONVERTOR
4644 230 040	DIAPHRAGM
4656 230 007	DIAPHRAGM
4657 330 036	DIAPHRAGM
4656 230 015	DIAPHRAGM
4644 330 216	DIAPHRAGM
4657 230 014	DIAPHRAGM
4657 330 011	DIAPHRAGM
4657 230 002	DIAPHRAGM
4657 230 003	DIAPHRAGM
4644 230 040	DIAPHRAGM
4644 330 385	CONNECTOR HOUSING
4644 302 041	OIL FEED FLANGE
4644 302 250	OIL FEED FLANGE
4642 301 136	BEARING COVER
OIL PUMP	
0501 208 764	OIL PUMP
0501 208 765	OIL PUMP
0501 215 506	OIL PUMP
0501 216 557	OIL PUMP
0501 211 637	OIL PUMP
0501 214 894	OIL PUMP
0501 214 895	OIL PUMP
0501 214 611	OIL PUMP
4143 142 013	OIL PUMP
4143 142 024	OIL PUMP
4143 142 025	OIL PUMP
SHAFT	
4644 311 193	SHAFT
4642 302 134	SHAFT
4642 302 011	SHAFT
4644 302 188	SHAFT
4642 302 161	SHAFT
4642 302 105	SHAFT
4657 354 020	SHAFT
4656 302 027	SHAFT
4646 354 002	SHAFT

4646 354 028	SHAFT
4660 302 011	SHAFT
4143 302 100	SHAFT
4143 302 101	SHAFT
DISC CARRIER	
4644 252 088	DISC CARRIER
4644 252 099	DISC CARRIER
4644 251 044	DISC CARRIER
4644 251 043	DISC CARRIER
4644 251 047	DISC CARRIER
4644 351 061	DISC CARRIER
4642 352 033	DISC CARRIER
4657 375 005	DISC CARRIER
4657 372 005	DISC CARRIER
4657 372 009	DISC CARRIER
4657 375 006	DISC CARRIER
4657 372 003	DISC CARRIER
4657 372 006	DISC CARRIER
4660 305 049	DISC CARRIER + SHAFT +GEAR
4660 271 021	DISC CARRIER + SHAFT +GEAR
4660 273 024	DISC CARRIER + SHAFT +GEAR
4660 271 002	DISC CARRIER + SHAFT +GEAR
4660 276 002	DISC CARRIER + SHAFT +GEAR
4660 272 009	DISC CARRIER + SHAFT +GEAR
4661 205 009	DISC CARRIER + SHAFT +GEAR
4661 272 034	DISC CARRIER + SHAFT +GEAR
4660 274 010	DISC CARRIER + SHAFT +GEAR
4660 275 021	DISC CARRIER + SHAFT +GEAR
GEAR	
4644 308 625	SPUR GEAR
4644 252 090	SPUR GEAR
4644 308 587	SPUR GEAR
4646 308 017	GEAR
4644 302 206	GEAR
4644 302 016	GEAR
4660 371 003	GEAR
4660 372 002	GEAR
4460 373 005	GEAR
4660 374 003	GEAR
4661 372 004	GEAR
4661 376 004	GEAR
AXLE	
4644 353 050	AXLE
4644 352 062	AXLE
4644 351 076	AXLE
4644 308 611	AXLE
PISTON AND END SHIM	
4661 272 020	PISTON
4660 305 036	PISTON
4460 271 009	PISTON
4644 351 070	PISTON
4644 353 062	PISTON
4657 275 003	PISTON
4657 275 006	PISTON
4657 275 008	PISTON

0501 326 779	END SHIM
4644 351 071	END SHIM
4642 308 185	END SHIM
4646 351 258	END SHIM
0750 101 181	END SHIM
0750 101 183	END SHIM
0501 316 594	END SHIM
4657 371 005	END SHIM
FLANGE	
4644 309 010	OUTPUT FLANGE
4657 309 004	OUTPUT FLANGE
4644 309 004	OUTPUT FLANGE
4657 309 007	OUTPUT FLANGE
4644 303 547	OUTPUT FLANGE
4644 303 197	OUTPUT FLANGE
4644 303 367	OUTPUT FLANGE
4644 309 001	OUTPUT FLANGE
4644 330 129	INPUT FLANGE
4642 303 059	INPUT FLANGE
BRAKE PARTS	
0501 003 264	BRAKE KIT
0501 003 819	BRAKE KIT
0501 002 415	BRAKE KIT
0501 002 417	BRAKE KIT
0501 202 737	BRAKE SHOEASS
0501 206 285	BRAKE SHOEASS
0501 307 817	PIN
0501 307 818	PIN
0501 207 745	BRAKE CAM
0501 300 407	LOCK WASHER
SPRING	
0501 213 416	COP SPRING SET
0501 212 880	COP SPRING SET
0750 106 018	CUP SPRING
0750 106 027	CUP SPRING
0501 316 541	CUP SPRING
0732 041 183	SPRING
0737 042 838	SPRING
0732 042 654	SPRING
0732 042 711	SPRING
2HL 270	
4143 351 061	PISTON
4143 351 056	PRESSURE RING
4143 351 057	RING
4143 302 100	INPUT SHAFT
4143 302 101	INPUT SHAFT
4143 315 095	PLANET CARRIER
4143 315 090	PLANET CARRIER
4143 315 088	PLANET GHEAR
4143 298 037	PLANET GHEAR
4143 315 069	RING GEAR
4143 352 051	PISTON
4143 352 060	PISTON
4143 352 053	CENTRAL DISC
4143 351 004	END SHIM

4143 303 082	OUT PUT FLANGE
4143 303 091	OIL DEFLECTOR
4143 303 090	OIL DEFLECTOR
2HL 100	
4143 302 015	GUID BUSH
4143 302 058	INPUT SHAFT
4143 302 013	INPUT SHAFT
4143 302 018	INPUT SHAFT
4143 352 010	PISTON
4143 352 018	DISC CARRIER
4143 352 021	CENTRAL DISC
4143 315 026	PLANET CARRIER
4143 315 036	RING GEAR
4143 315 028	SUN GEAR
4143 315 024	PLANET GEAR
0735 455 262	PLANET BEARING
FRECTION AND STEEL DUIC	
0501 212 619	FRECTION DISC
0501 212 620	FRECTION DISC
0501 232 653	FRECTION DISC
4645 251 021	FRECTION DISC
4143 251 002	FRECTION DISC
0501 213 016	FRECTION DISC
0501 309 329	FRECTION DISC
0501 309 330	FRECTION DISC
0501 309 541	FRECTION DISC
0501 213 393	FRECTION DISC
0501 214 010	FRECTION DISC
0501 214 009	FRECTION DISC
0501 214 011	FRECTION DISC
0501 214 008	FRECTION DISC
0501 212 370	FRECTION DISC
0501 212 371	FRECTION DISC
0501 212 372	FRECTION DISC
0501 212 373	FRECTION DISC
0501 212 369	FRECTION DISC
0501 212 368	FRECTION DISC
0501 316 027	FRECTION DISC
0501 316 028	FRECTION DISC
0501 210 138	FRECTION DISC
0501 210 139	FRECTION DISC
4646 351 162	FRECTION DISC
0501 208 883	FRECTION DISC
0501 208 884	FRECTION DISC
0501 319 274	STEEL DISC
4143 351 020	STEEL DISC
4143 351 011	STEEL DISC
4143 351 025	STEEL DISC
4143 352 056	STEEL DISC
4143 352 058	STEEL DISC
4143 352 059	STEEL DISC
4642 308 330	STEEL DISC
4642 308 331	STEEL DISC
4642 308 332	STEEL DISC
4644 308 329	STEEL DISC

4644 308 330	STEEL DISC
0501 214 038	STEEL DISC
0501 214 037	STEEL DISC
0501 316 591	STEEL DISC
0501 316 390	STEEL DISC
0501 316 592	STEEL DISC
4646 351 099	STEEL DISC
4646 351 100	STEEL DISC
4646 351 101	STEEL DISC
4646 351 261	STEEL DISC
4646 351 214	STEEL DISC
4646 351 213	STEEL DISC
4646 351 212	STEEL DISC
4646 351 284	STEEL DISC
4646 351 285	STEEL DISC
4646 351 286	STEEL DISC
4646 351 287	STEEL DISC
TRANSMISSION SERVICEKIT	
2HL 100	TRANSMISSION SERVICEKIT
2HL 250	TRANSMISSION SERVICEKIT
2HL 270	TRANSMISSION SERVICEKIT
2HL 290	TRANSMISSION SERVICEKIT
4WG 90 JOHN DEERE	TRANSMISSION SERVICEKIT
4WG 92	TRANSMISSION SERVICEKIT
4WG 94 ÇUKUROVA	TRANSMISSION SERVICEKIT
4WG 94	TRANSMISSION SERVICEKIT
5WG 98	TRANSMISSION SERVICEKIT
WG 150	TRANSMISSION SERVICEKIT
WG 158	TRANSMISSION SERVICEKIT
WG 160	TRANSMISSION SERVICEKIT
WG 161	TRANSMISSION SERVICEKIT
WG 180	TRANSMISSION SERVICEKIT
WG 190	TRANSMISSION SERVICEKIT
WG 191	TRANSMISSION SERVICEKIT
WG 200	TRANSMISSION SERVICEKIT
WG 201	TRANSMISSION SERVICEKIT
WG 210	TRANSMISSION SERVICEKIT
WG 211	TRANSMISSION SERVICEKIT
WG 250	TRANSMISSION SERVICEKIT
WG 251	TRANSMISSION SERVICEKIT
WG 258	TRANSMISSION SERVICEKIT
WG 260	TRANSMISSION SERVICEKIT
WG 261	TRANSMISSION SERVICEKIT
WG 310	TRANSMISSION SERVICEKIT
WG 311	TRANSMISSION SERVICEKIT
GASKET	
4642 301 201	GASKET
4642 311 193	GASKET
4642 301 200	GASKET
4642 308 532	GASKET
4644 306 462	GASKET
4644 306 466	GASKET
4644 306 468	GASKET
4642 306 320	GASKET
4642 306 318	GASKET

4644 302 211	GASKET
4644 311 214	GASKET
4644 301 262	GASKET
4644 311 209	GASKET
4644 301 265	GASKET
4642 308 531	GASKET
4644 321 244	GASKET
4642 331 216	GASKET
4644 306 370	GASKET
4644 306 497	GASKET
4644 306 364	GASKET
4644 306 362	GASKET
4644 306 584	GASKET
4656 301 023	GASKET
4657 306 022	GASKET
4656 306 136	GASKET
0501 323 021	GASKET
0501 323 022	GASKET
4656 306 157	GASKET
4656 306 158	GASKET
4656 337 010	GASKET
4656 337 006	GASKET
4646 302 057	GASKET
4646 306 066	GASKET
4646 306 069	GASKET
0501 322 459	GASKET
4660 306 071	GASKET
4660 306 057	GASKET
4660 306 050	GASKET
4660 306 041	GASKET
0501 322 504	GASKET
0501 322 506	GASKET
0501 322 507	GASKET
0501 322 465	GASKET
4660 306 169	GASKET
OILSEAL	
0750 111 307	OILSEAL
0750 111 116	OILSEAL
0734 319 378	OILSEAL
0634 311 837	OILSEAL
0734 319 497	OILSEAL
0750 111 145	OILSEAL
0750 111 329	OILSEAL
0734 319 718	OILSEAL
0501 320 897	OILSEAL
0734 319 433	OILSEAL
0734 319 697	OILSEAL
0501 320 242	OILSEAL
0634 307 179	OILSEAL
0501 320 897	OILSEAL
R-RING	
0634 402 025	R-RING
0734 317 252	R-RING
0734 401 251	R-RING

0634 402 105	R-RING
0634 402 048	R-RING
0734 401 267	R-RING
0634 402 557	R-RING
0634 402 526	R-RING
0634 402 532	R-RING
0634 402 546	R-RING
0634 402 523	R-RING
0634 402 151	R-RING
0750 113 046	R-RING
0734 401 298	R-RING
0734 401 296	R-RING
0634 402 140	R-RING
0634 402 540	R-RING
PISTON RING	
0750 112 140	PISTON SEAL
0750 112 139	PISTON SEAL
0750 112 141	PISTON SEAL
0501 319 959	PISTON SEAL
0501 319 994	PISTON SEAL
0501 319 960	PISTON SEAL
0501 319 957	PISTON SEAL
0501 319 958	PISTON SEAL
0501 312 497	PISTON SEAL
0501 312 498	PISTON SEAL
0501 208 170	PISTON SEAL
0501 208 171	PISTON SEAL
0634 313 643	PISTON O-RING
0634 313 796	PISTON O-RING
0634 313 719	PISTON O-RING
0634 313 574	PISTON O-RING
0634 313 498	PISTON O-RING
0634 313 375	PISTON O-RING
0634 313 945	PISTON O-RING
0634 313 796	PISTON O-RING
0634 313 269	PISTON O-RING
0634 313 219	PISTON O-RING
0634 313 515	PISTON O-RING
0634 313 005	PISTON O-RING
0634 313 395	PISTON O-RING
0634 313 796	PISTON O-RING
BEARING	
0635 302 182	BEARING
0635 303 203	BEARING
0635 303 204	BEARING
0635 303 205	BEARING
0635 303 102	BEARING
0735 298 027	BEARING
260 ROLEBARING	BEARING
0735 321 579	BEARING
0735 358 069	BEARING
0750 115 026	BEARING
0750 115 028	BEARING
0750 115 109	BEARING

0750 115 180	BEARING
0750 115 182	BEARING
0750 115 519	BEARING
0750 116 100	BEARING
0750 116 102	BEARING
0750 118 492	BEARING
0750 118 200	BEARING
0750 116 104	BEARING
0750 116 139	BEARING
0735 358 132	BEARING
0750 115 211	BEARING
0635 416 285	BEARING
0750 116 134	BEARING
0750 116 259	BEARING
0635 303 104	BEARING
0750 119 048	BEARING
0750 119 099	BEARING
0750 119 100	BEARING
0750 119 101	BEARING
0735 300 549	BEARING
0750 116 221	BEARING
0735 371 862	BEARING
0750 115 216	BEARING
0750 116 191	BEARING
0750 116 109	BEARING
0750 116 388	BEARING
0750 116 347	BEARING
0750 116 254	BEARING
0750 117 515	BEARING
0750 117 057	BEARING
0635 302 089	BEARING
0735 372 036	BEARING
0635 330 050	BEARING
0635 302 011	BEARING
0750 116 254	BEARING
CONTROL VALVE	
4143 342 068	PUMP SHAFT
4143 342 098	HOUSING
4143 342 100	HOUSING
4143 342 091	COVER
4143 342 065	COVER
0501 212 508	ROTOR SET
4143 342 097	PUMP SHAFT
0635 303 036	NEEDLE SLEEVE
0750 116 083	BALL BEARING
0635 460 002	BALL
0632 041 108	COMPRESSSION SPRING
0630 501 006	RETAINING RING
0630 502 013	RETAINING RING
0636 015 049	HEXAGON SCREW
4644 159 303	CONTROL VALVE
4644 159 337	CONTROL VALVE
4644 306 560	CONTROL VALVE HOUSING
4656 306 170	CONTROL VALVE HOUSING
4644 206 035	WIRING HARNESS

4656 306 006	WIRING HARNESS
4644 306 376	CONTROL VALVE PISTON
4644 306 377	CONTROL VALVE PISTON
4644 306 380	CONTROL VALVE PISTON
4644 306 381	CONTROL VALVE PISTON
4644 306 383	CONTROL VALVE PISTON
4644 306 384	CONTROL VALVE PISTON
4644 306 509	CONTROL VALVE PISTON
4644 306 578	CONTROL VALVE PISTON
4644 306 597	CONTROL VALVE PISTON
4644 306 524	CONTROL VALVE PISTON
4656 306 152	CONTROL VALVE PISTON
4656 306 013	CONTROL VALVE PISTON
4656 306 074	CONTROL VALVE PISTON
4656 306 095	CONTROL VALVE PISTON
4656 306 094	CONTROL VALVE PISTON
4644 306 388	CLAMP
0501 313 375	SOLENOID V ALVE
0501 313 369	SOLENOID V ALVE
0260 120 225	SOLENOID V ALVE
0501 314 770	SOLENOID V ALVE
0634 460 005	BALL
FIL TRE	
0501 210 564	FIL TRE
0750 131 012	FIL TRE
0750 131 056	FIL TRE
0750 131 013	FIL TRE
0750 131 053	FIL TRE
0750 131 060	FIL TRE
0501 323 154	FIL TRE
0501 333 764	FIL TRE
0501 316 715	FIL TRE
0501 214 082	SUCTION FILTER
SENSOR	
0501 317 949	SPEED SENSOR
0501 209 719	INDUCTIVE SENSOR
0501 317 159	SPEED SENSOR
0501 317 160	SPEED SENSOR
0501 322 528	TEMPERATURE SENSOR
0501 322 532	TEMPERATURE SENSOR
0501 210 966	TAPPET SWITCH
WASHER	
0730 150 759	THRUST WASHER
0730 150 773	THRUST WASHER
0750 150 774	THRUST WASHER
0750 150 777	THRUST WASHER
0750 150 779	THRUST WASHER
4642 308 555	THRUST PLATE
4642 351 078	THRUST PLATE
4642 351 094	THRUST PLATE
4642 308 083	GUID SPRING
4642 308 084	GUID SPRING
0730 109 643	THRUST WASHER
4644 303 535	THRUST WASHER
4644 303 529	THRUST WASHER

4642 308 083	THRUST WASHER
4644 308 239	THRUST WASHER
4644 308 265	THRUST WASHER
0630 004 262	THRUST WASHER
0730 000 256	SHIM
0730 009 904	THRUST WASHER
0635 290 012	THRUST WASHER
4143 301 051	WASHER
4112 303 216	WASHER
4644 301 088	COVER
4644 351 081	COVER
4642 301 106	COVER
0630 361 026	COVER
RETAINING RING	
0501 308 831	RETAINING RING
0501 308 832	RETAINING RING
0501 308 835	RETAINING RING
0630 531 346	RETAINING RING
0630 502 037	RETAINING RING
0630 501 370	RETAINING RING
0630 531 258	RETAINING RING
0630 532 187	RETAINING RING
0730 501 439	RETAINING RING
0630 502 036	RETAINING RING
0630 502 048	RETAINING RING
0630 501 038	RETAINING RING
0630 531 043	RETAINING RING
0630 502 032	RETAINING RING
0730 501 438	RETAINING RING
0630 501 248	RETAINING RING
0630 502 056	RETAINING RING
0730 501 853	RETAINING RING
0630 502 073	RETAINING RING
0730 501 442	RETAINING RING
0630 501 048	RETAINING RING
0630 502 047	RETAINING RING
0630 531 158	SNAP RING
O-RING	
0634 313 266	O-RING
0634 306 176	O-RING
0634 306 175	O-RING
0899 316 321	O-RING
0634 303 194	O-RING
0634 303 194	O-RING
0634 314 427	O-RING
0634 306 523	O-RING
0634 306 524	O-RING
0634 313 728	O-RING
0634 304 309	O-RING
0634 306 047	O-RING
0634 314 304	O-RING
0634 313 478	O-RING
0634 303 358	O-RING
0634 306 328	O-RING
0634 303 692	O-RING

0634 303 422	O-RING
0634 313 433	O-RING
0634 313 070	O-RING
0634 313 568	O-RING
0634 303 849	O-RING
0634 306 295	O-RING
0634 303 734	O-RING
0634 303 762	O-RING
0634 306 309	O-RING
0634 303 951	O-RING
0634 303 945	O-RING
0634 303 229	O-RING
0634 304 012	O-RING
0634 303 584	O-RING
0634 313 591	O-RING
0634 303 134	O-RING
0634 304 049	O-RING
0634 314 447	O-RING
0899 316 321	O-RING
0634 306 522	O-RING
0634 313 603	O-RING
0634 306 010	O-RING
0634 306 012	O-RING
0634 306 311	O-RING
0634 306 189	O-RING
0634 306 191	O-RING
0634 306 015	O-RING
0634 306 198	O-RING
0634 304 287	O-RING
0634 314 396	O-RING
0634 303 266	O-RING
0634 303 238	O-RING
0634 306 213	O-RING
0634 303 233	O-RING
0634 303 259	O-RING
0634 303 275	O-RING
0634 303 283	O-RING
0634 313 285	O-RING
0634 303 367	O-RING
0634 306 501	O-RING
0634 303 466	O-RING
0634 306 504	O-RING
0634 306 275	O-RING
0634 313 778	O-RING
0634 303 719	O-RING
0634 306 295	O-RING
0634 316 304	O-RING
0634 313 179	O-RING
0634 304 616	O-RING
0634 303 110	O-RING
0634 303 227	O-RING
0634 304 060	O-RING
0634 100 317	O-RING
0634 313 057	O-RING
0634 303 340	O-RING

0634 306 323	O-RING
0634 306 508	O-RING
0634 313 529	O-RING
0634 303 888	O-RING
0634 313 188	O-RING
0634 100 543	O-RING
0634 313 972	O-RING
0634 314 406	O-RING
0634 313 164	O-RING
0634 304 160	O-RING
0634 306 053	O-RING
0634 304 161	O-RING
0634 313 395	O-RING
0634 303 419	O-RING
0634 313 092	O-RING
0634 303 026	O-RING
0634 303 928	O-RING
0634 303 945	O-RING
0634 303 280	O-RING